



CANEC23009889816

2023 09 22

1

8

15

CSP LED

SGS

GZP23-013561

2023 09 13

2023 09 13 ~ 2023 09 21

| | | | |
|------|-------------------------------|----------------------|-------------------------|
| RoHS | 2011/65/EU (PBBs) (BBP) | II (PBDEs) (2- | (EU) 2015/863- (DBP) |
|------|-------------------------------|----------------------|-------------------------|

李嘉欣

Jessie-JX Li



| | | SGS ID | |
|-----|-----|-------------------------|-----|
| SN1 | A25 | CAN23-0098898-0001.C025 | / |
| SN2 | A26 | CAN23-0098898-0001.C026 | , & |

(1) 1 mg/kg = 1 ppm = 0.0001%

(2) MDL=

(3) ND = (< MDL)

(4) "-" =

| RoHS | 2011/65/EU | II | (EU) 2015/863- | (PBBs) |
|---------|------------|--------|----------------|--------|
| (PBDEs) | | (DBP) | (BBP) | (2-) |
| (DEHP) | | (DIBP) | | |

IEC 62321-4:2013+AMD1:2017 IEC 62321-5:2013 IEC 62321-7-2:2017 IEC
62321-6:2015 IEC 62321-8:2017 ICP-OES UV-Vis GC-MS

| | | | MDL | A25 | A26 |
|------------|------|-------|-----|-----|-----|
| (Cd) | 100 | mg/kg | 2 | ND | ND |
| (Pb) | 1000 | mg/kg | 2 | 25 | 17 |
| (Hg) | 1000 | mg/kg | 2 | ND | ND |
| (Cr(VI)) | 1000 | mg/kg | 8 | ND | ND |
| (PBBs) | 1000 | mg/kg | - | ND | ND |
| (MonoBB) | - | mg/kg | 5 | ND | ND |
| (DiBB) | - | mg/kg | 5 | ND | ND |
| (TriBB) | - | mg/kg | 5 | ND | ND |
| (TetraBB) | - | mg/kg | 5 | ND | ND |
| (PentaBB) | - | mg/kg | 5 | ND | ND |
| (HexaBB) | - | mg/kg | 5 | ND | ND |
| (HeptaBB) | - | mg/kg | 5 | ND | ND |
| (OctaBB) | - | mg/kg | 5 | ND | ND |
| (NonaBB) | - | mg/kg | 5 | ND | ND |
| (DecaBB) | - | mg/kg | 5 | ND | ND |
| (PBDEs) | 1000 | mg/kg | - | ND | ND |
| (MonoBDE) | - | mg/kg | 5 | ND | ND |
| (DiBDE) | - | mg/kg | 5 | ND | ND |
| (TriBDE) | - | mg/kg | 5 | ND | ND |
| (TetraBDE) | - | mg/kg | 5 | ND | ND |
| (PentaBDE) | - | mg/kg | 5 | ND | ND |
| (HexaBDE) | - | mg/kg | 5 | ND | ND |



CANEC23009889816

2023 09 22

3

8

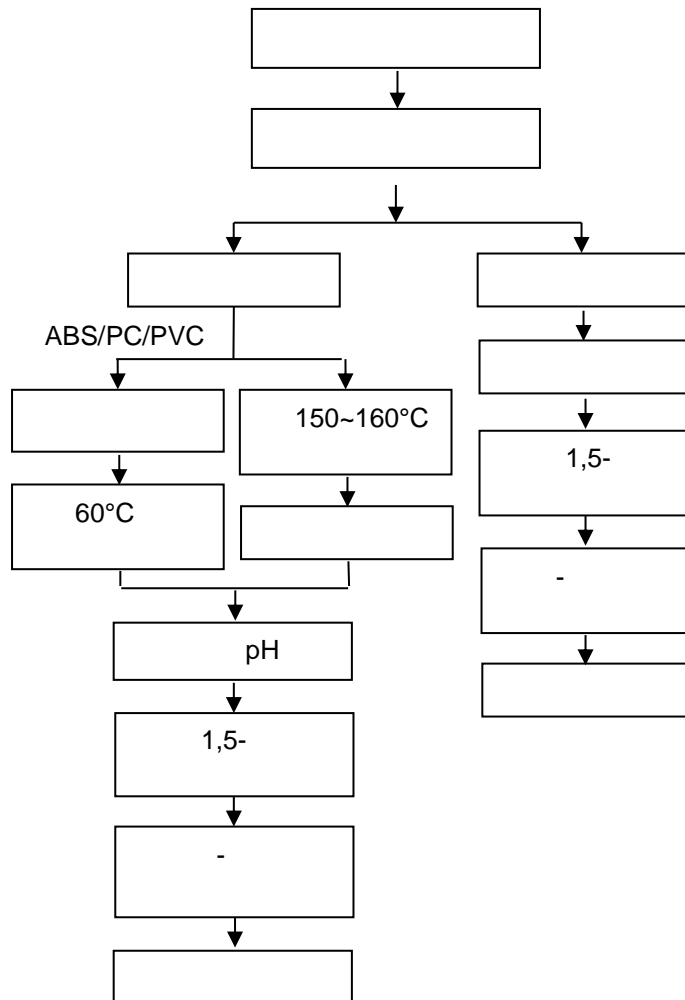
| | | | MDL | A25 | A26 |
|--------------|------|-------|-----|-----|-----|
| (HeptaBDE) | - | mg/kg | 5 | ND | ND |
| (OctaBDE) | - | mg/kg | 5 | ND | ND |
| (NonaBDE) | - | mg/kg | 5 | ND | ND |
| (DecaBDE) | - | mg/kg | 5 | ND | ND |
| (DBP) | 1000 | mg/kg | 50 | ND | ND |
| (BBP) | 1000 | mg/kg | 50 | ND | ND |
| (2-) (DEHP) | 1000 | mg/kg | 50 | ND | ND |
| (DIBP) | 1000 | mg/kg | 50 | ND | ND |

- (1) RoHS (EU) 2015/863
- (2) IEC 62321 EN 62321
- (3) 2021 7 22 DEHP BBP DBP DIBP

ILAC-G8:09/2019

w=0





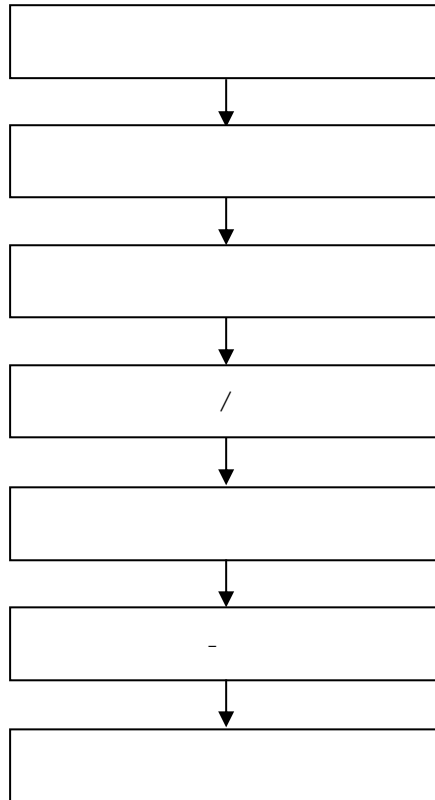


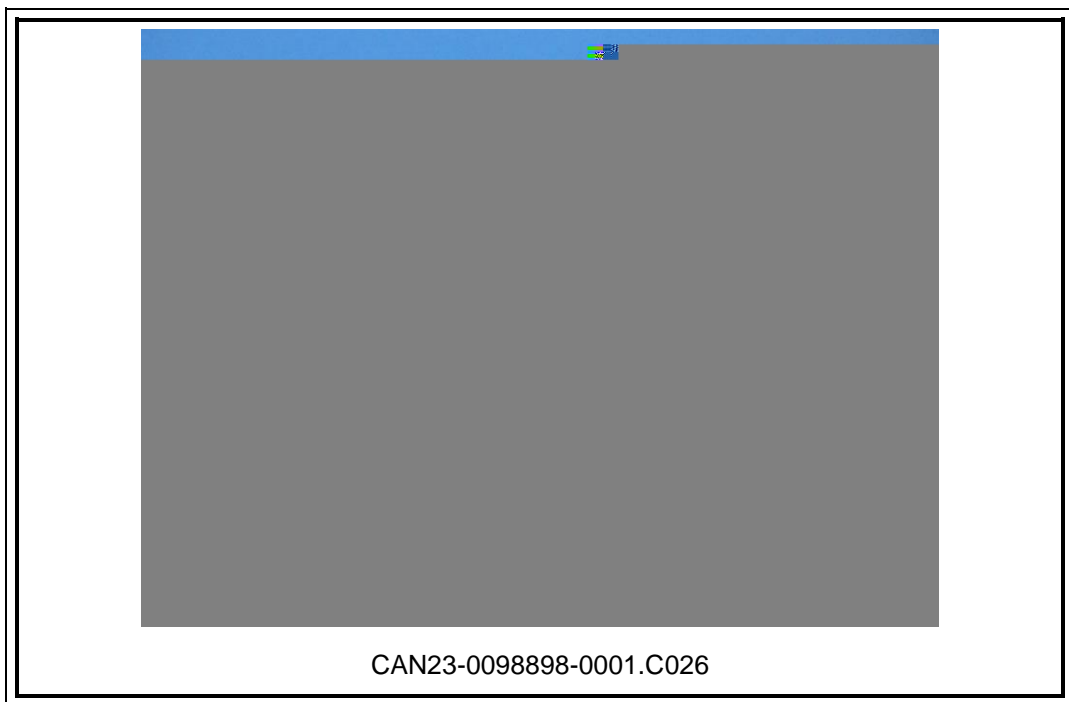
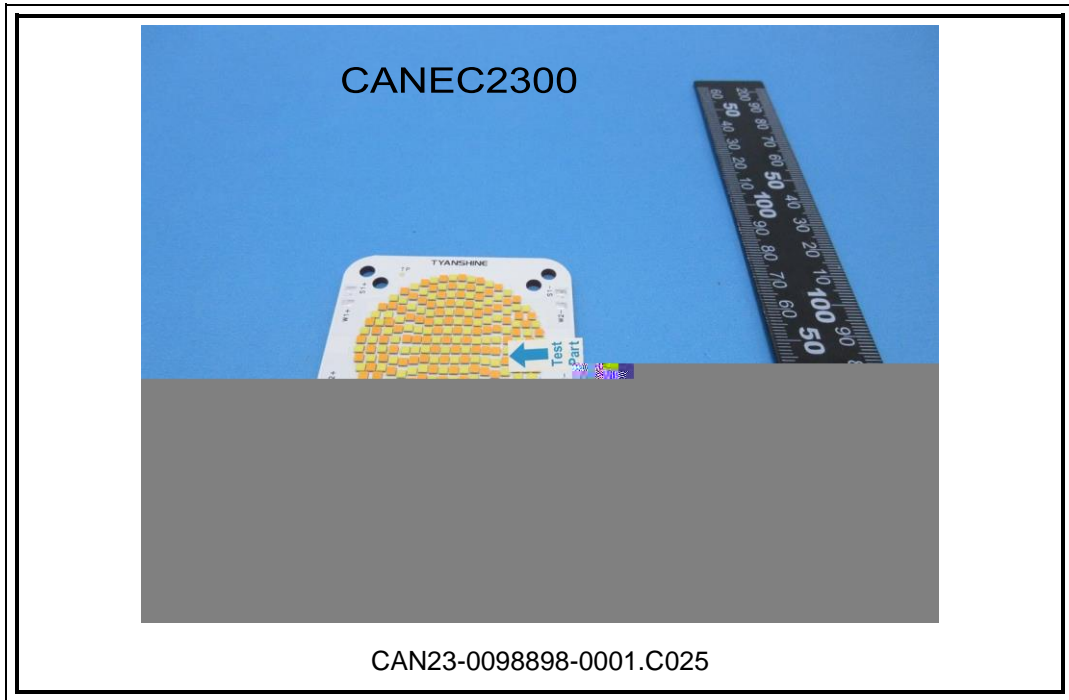
PBBs/PBDEs





Phthalates





SGS
